

SBFC

Sewage pre-treatment station with screw filter

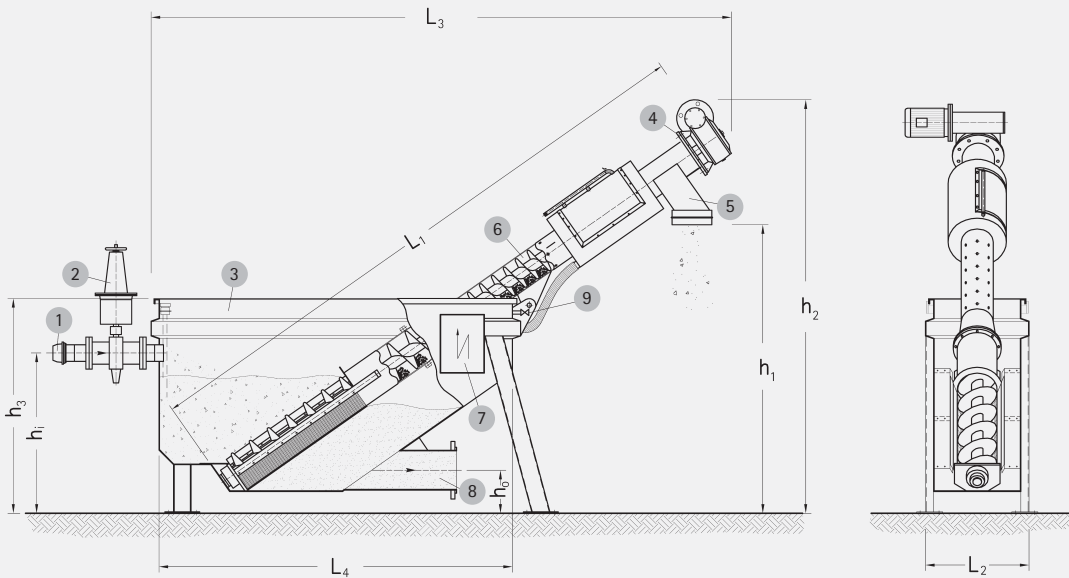
The sewage pre-treatment station type SBFC is installed for the treatment of sewage deriving from cesspools, Imhoff tanks and industrial plants, transported by means of tank trucks. The station, completely closed to ensure the maximum hygiene and safety, consists of a structure which is also used as sewage storage tank and a screw filter FC type. The operation is easy: the sewage entering the tank passes through a filtering screen and deposits on it the suspended solid matters and undergoes to a micro-screening. The trapped solid matters are lifted by a multifunction screw - consisting of a first scraping section and a second conveying & compacting section - and discharged into a specific container through a hopper. During the compaction, the

drain waters are recycled to the tank. The main characteristics of the equipment are: short emptying time of the tank truck thanks to the high inlet flow, maximum efficiency in the solid-liquid separation, considerable compaction of the solid material with consequent reduction in volume and weight. The station is provided with ball half-joint "Perrot" type; on request, it is also possible to have a pneumatic valve installed on the same inlet piping. Furthermore the station is complete with nozzles for the washing of tank, filtering screen and screened material. The station is made completely in stainless steel. On request, it can be provided with a specific computerized equipment for the detection of the quantity and quality characteristics of the inlet sewage.

Strengths

- RAPID INLET CONNECTION, "PERROT" TYPE.
- SHORT EMPTYING TIME OF TANK TRUCK THANKS TO THE HIGH INFLOW.
- MAXIMUM EFFICIENCY IN THE SOLID-LIQUID MATTER SEPARATION.
- SCREENING, LIFTING, COMPACTING AND WASHING OF SCREENINGS IN ONE ONLY EQUIPMENT.
- MACHINE COMPLETELY CLOSED AND ABLE TO AVOID THE DIFFUSION OF BAD SMELLS, MAXIMUM SAFETY ENSURED.
- WASHING SYSTEM FOR TANK, FILTERING SCREEN AND SCREENINGS.





Legend

- 1 BALL HALF-JOINT "PERROT"
- 2 PNEUMATIC VALVE
- 3 TANK
- 4 GEARMOTOR
- 5 SCREENED MATERIAL DISCHARGE
- 6 MULTIFUNCTION SCREW
- 7 CONTROL PANEL
- 8 PRETREATED WATER OUTLET
- 9 WASHING WATER INLET 1" GAS



TYPE	MAIN FEATURES	UNIT	DIMENSIONAL DATA							
			SBFC 300				SBFC 500			
SBFC	MODEL		SBFC 300				SBFC 500			
	MAX LENGTH (L ₃)	mm	4250				5200			
	TANK LENGTH (L ₄)	mm	2570				3310			
	TANK WIDTH (L ₂)	mm	710				810			
	SCREW LENGTH (L ₁)	mm	4145				5080			
	MAX HEIGHT (h ₂)	mm	2260				2800			
	DISCHARGE HEIGHT (h ₁)	mm	1520				1800			
	TANK HEIGHT (h ₃)	mm	1115				1450			
	SEWAGE INLET HEIGHT (h _i)	mm	1024				1080			
	WATER OUTLET HEIGHT (h _o)	mm	296				296			
	FILTERING GAPS (f)	mm	3	4	5	6	3	4	5	6
	FLOW RATE	m ³ /h	53	60	85	115	89	100	142	193
	POWER SUPPLY	kW	1,5				2,2			
	EMPTY WEIGHT	daN	820				1480			
WORKING WEIGHT	daN	2100				3500				

